




LET THE LIGHT FLOOD IN

ORANGERIES AND EXTENSIONS

UltraskyTM
By Ultraframe

A man and a woman are sitting on a light-colored sofa in a modern living space. The man is wearing a black t-shirt and glasses, and the woman is wearing a black top and pants. They are both smiling and looking towards each other. The room features a large skylight with a dark frame, a stone wall, and a dark wood kitchen area with a built-in oven. The overall atmosphere is bright and contemporary.

Ultrasky creates the perfect living space whether you're entertaining, relaxing with your family, or having a cosy night in.

Ultrasky combines fresh modern styling with natural light to create a beautiful warm glazed extension with the style and grandeur of a traditional orangery. Engineered by Ultraframe, strength is the secret behind Ultrasky's success. A stronger, thermally insulated ridge means less bars are needed drawing more light into the room.



ULTRASKY, IT'S
NOT JUST HOW
IT LOOKS AND
FEELS,

IT'S HOW IT WORKS!

ULTRASKY,
3 OPTIONS TO CREATE THE
ULTIMATE ORANGERY OR
EXTENSION

Ultrasky's revolutionary roofing systems put warmth and light at the heart of your new extension or orangery design.

Guaranteed for 10 years, the market's strongest glazed roofs are designed to flood your new room with light.



Ultrasky™ ORANGERY by Ultraframe

Designed for spectacular builds up to 8m x 5.6m, the Ultrasky Orangery is the ultimate in contemporary design with elegant uninterrupted sightlines. Combine Ultrasky Roof with super-insulated columns, large spans of bi-fold or sliding doors and a flat cornice for an elegant and stylish orangery.

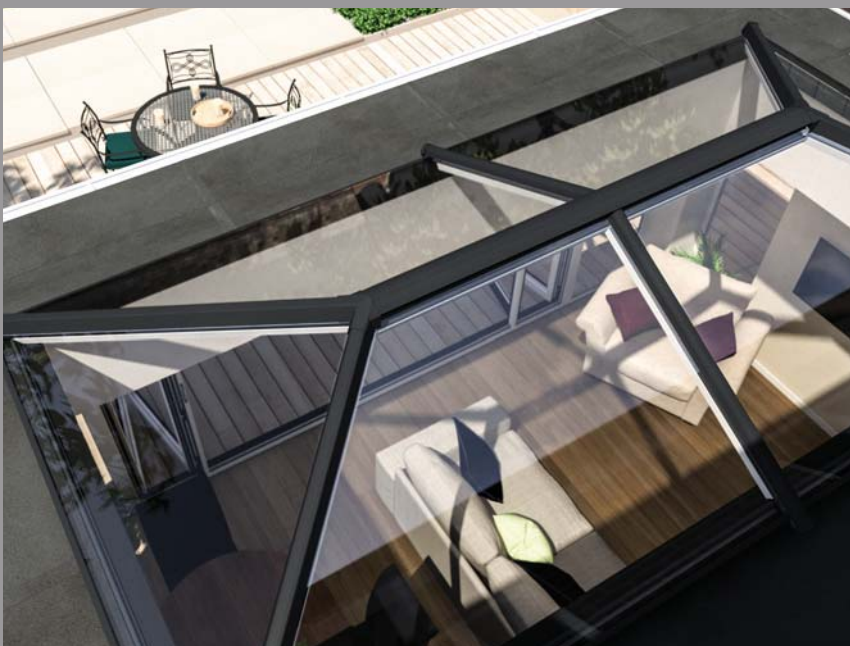
See pages 6 -9 for more details.



Ultrasky™ ROOF by Ultraframe

The Ultrasky Roof maximises light by extending to the eaves beam rather than using a flat roof. This slimline roof with no bulky radius end and less bars lets in more light than a traditional orangery or flat roof extension. A choice of decorative cornices adds shape and style to the roofline, hides unsightly gutters and the patented pelmet adds insulation to ensure your orangery or extension is always warm and cosy.

See pages 10-13 for more details.



Ultrasky™ LANTERN by Ultraframe

The Ultrasky Lantern can be inserted into a flat roof or a traditional orangery deck and is ideal for large builds where the roof height is restricted. Unlike many other lanterns, Ultrasky Lantern has a 25° pitch which draws more light into the room creating a stunning focal point.

See pages 14 -17 for more details.



With Ultrasky Orangery you have the whole package; Ultrasky Roof, super-insulated columns, insulated pelmet and cornice. For a contemporary look, the flat cornice available in 1,2, or 3 tier looks amazing with bi-fold or sliding doors.

Inside, the variable width pelmet insulates the eaves and creates a perimeter ceiling with a room-like feel. Add spotlights or speakers to inspire and impress.



ULTRASKY **ORANGERY,** SIMPLE, STYLISH & ELEGANT



Match a super-insulated column to your cornice in a bespoke colour to create something really unique.



ULTRASKY, LET THE OUTSIDE FLOW IN TO YOUR **ORANGERY OR EXTENSION**

At the heart of Ultrasky Orangerie are the ingenious super-insulated columns. Bringing strength and solidity to your design, they are constructed around a thermally insulated core, and are five times more thermally efficient than a similar sized brick pillar. The integrated structural frame means you can design in larger expanses of glass and bi-fold or sliding doors, than you would with a traditional brick built orangerie.



Depending on the look you choose, super-insulated columns can be wide or narrow with a plain or fluted aluminium finish and are available in any colour to complement or contrast with your property.

LET
ULTRASKY
TAKE THE
WEIGHT
OFF

Ultraspan Roof is perfect for spanning bi-folding or sliding doors. A super-strong, slim line structural frame with unique Ultraspan technology works together with the roof beam to reduce the deflection pressure on your doors.

Every Ultraspan frame is easily integrated with brick pillars, super-insulated columns or a simple post. Our team of engineers take care of the structural calculations to design and manufacture a bespoke frame for your new extension or orangery.



The unique Ultrapan frame is concealed within the Ultrasky Roof for uninterrupted sight lines and maximum light.

Combine Ultrasky Roof with solid brick pillars and a curved cornice to create a traditional orangery design.





1 Tier Cornice



2 Tier Cornice



3 Tier Cornice



Curved Cornice



A decorative cornice adds shape and style to any roofline, concealing gutters and rafter ends. Best of all there are 4 styles to choose from.

Design the width of your internal pelmet to suit your new room from 300mm to 1200mm. The added insulation in the pelmet will ensure your new orangery or extension is always warm, welcoming and cosy.

ULTRASKY LANTERN,
MAXIMISE NATURAL LIGHT
IN YOUR ORANGERY OR
EXTENSION

Sitting on a flat roof or traditional orangery deck, Ultrasky Lantern draws maximum light into your orangery or extension. The elegant 25° pitch to all four sides provides a stunning addition to any room - ideal for creating a focal point in a dining room or kitchen.





LIGHTER
AND BRIGHTER

ORANGERY OR EXTENSION

Ultrasky Lantern's extra strength means less bars and uninterrupted sight lines for maximum light. It is available in a wide variety of sizes to a maximum width of 4m and a length of 5.8m.



The design options with Ultrasky are endless. Available in aluminium or PVC inside and out, Ultrasky is available in grey or white as standard or choose a bespoke colour to suit your property. For Ultrasky Roof an extensive range of decorative cornices add style and shape to the roofline (see page 13).

UNRIVALLED

CHOICE OF STYLES FROM ULTRASKY

STANDARD COLOURS



White

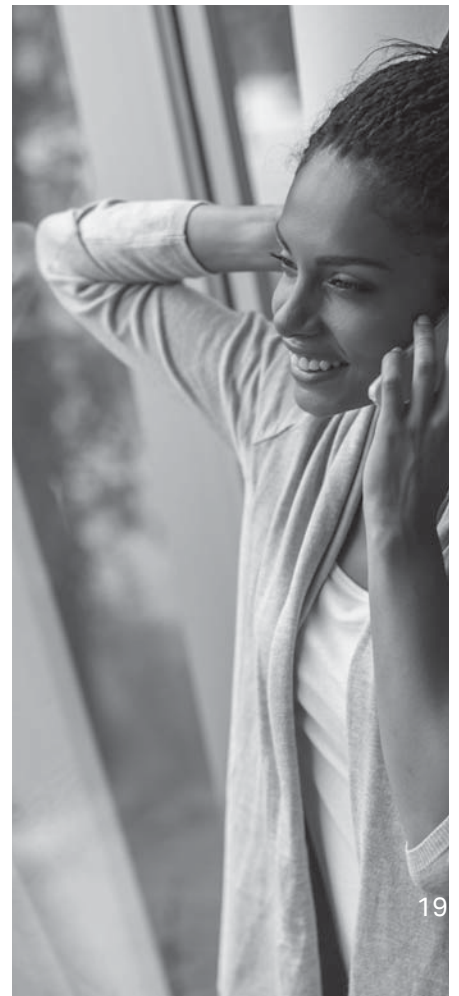


Anthracite Grey

Bespoke colours available to
order on Ultrasky Roof.



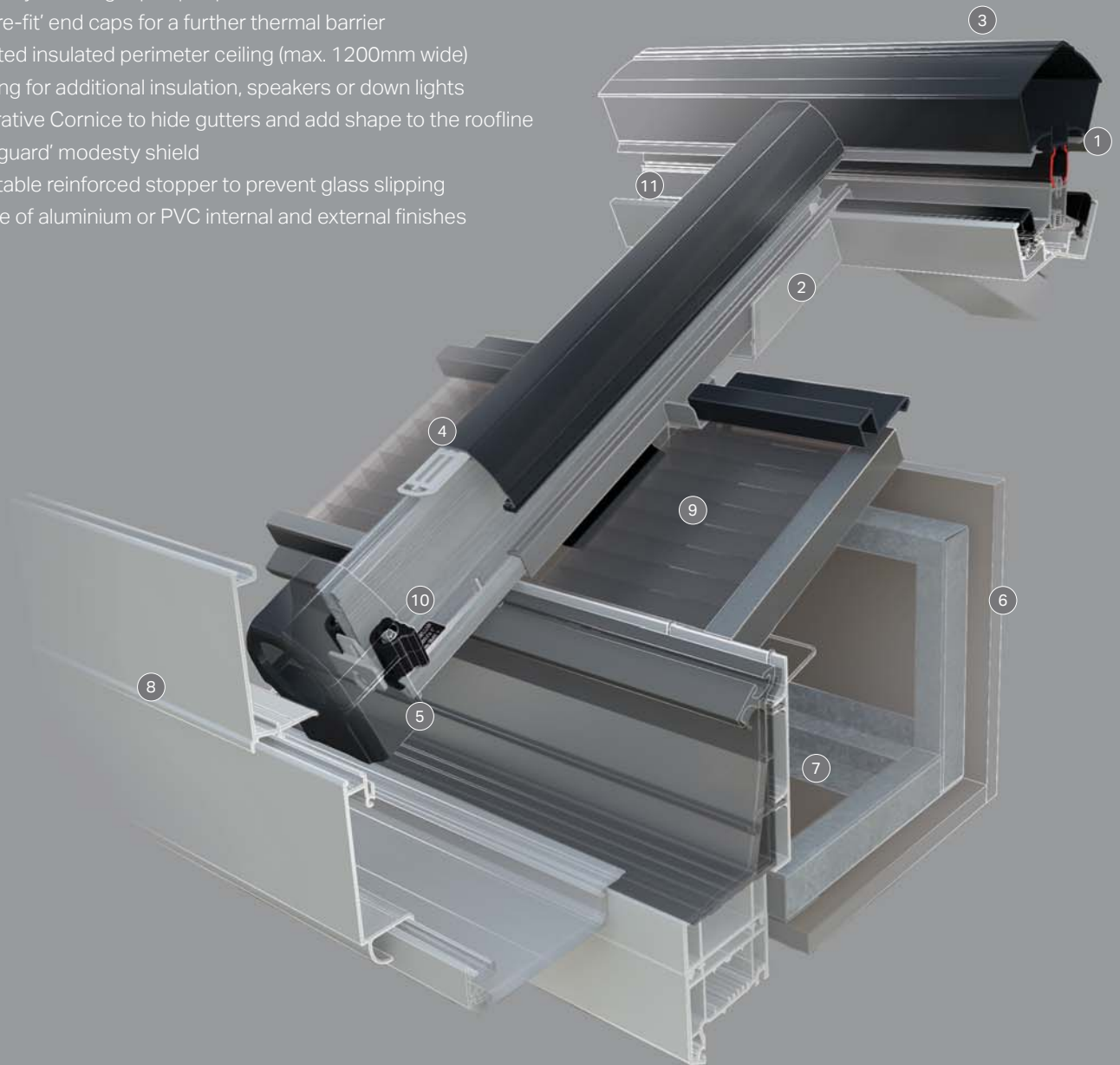
1. Traditional orangery with a curved white cornice. 2. Ultrasky Lantern with a white PVC external finish.
3. Ultrasky Orangery in agate grey with a 3 tier flat cornice. 4. Ultrasky Lantern with an anthracite grey aluminium internal finish.



ULTRASKY ROOF

FEATURES

- 1 High performance thermal break
- 2 Patented thermally insulated aluminium rafter
- 3 Super strong ridge for fewer bars and more light
- 4 Thermally isolating top cap clip
- 5 'Secure-fit' end caps for a further thermal barrier
- 6 Patented insulated perimeter ceiling (max. 1200mm wide)
- 7 Housing for additional insulation, speakers or down lights
- 8 Decorative Cornice to hide gutters and add shape to the roofline
- 9 'Heat guard' modesty shield
- 10 Adjustable reinforced stopper to prevent glass slipping
- 11 Choice of aluminium or PVC internal and external finishes



STRENGTH, WARMTH
AND MAXIMUM LIGHT

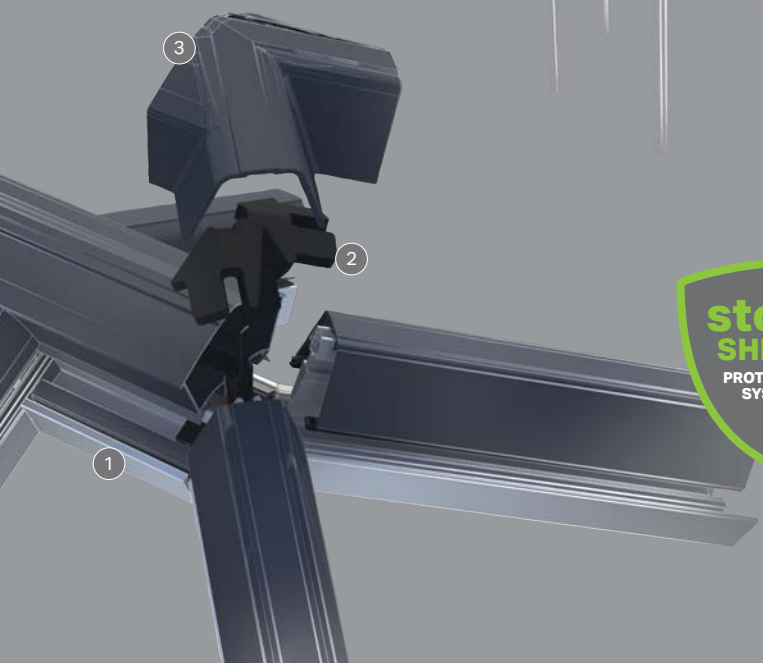
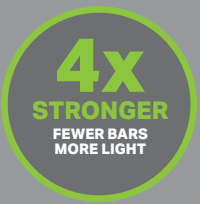
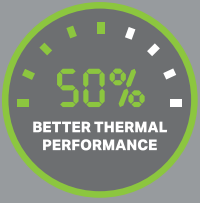
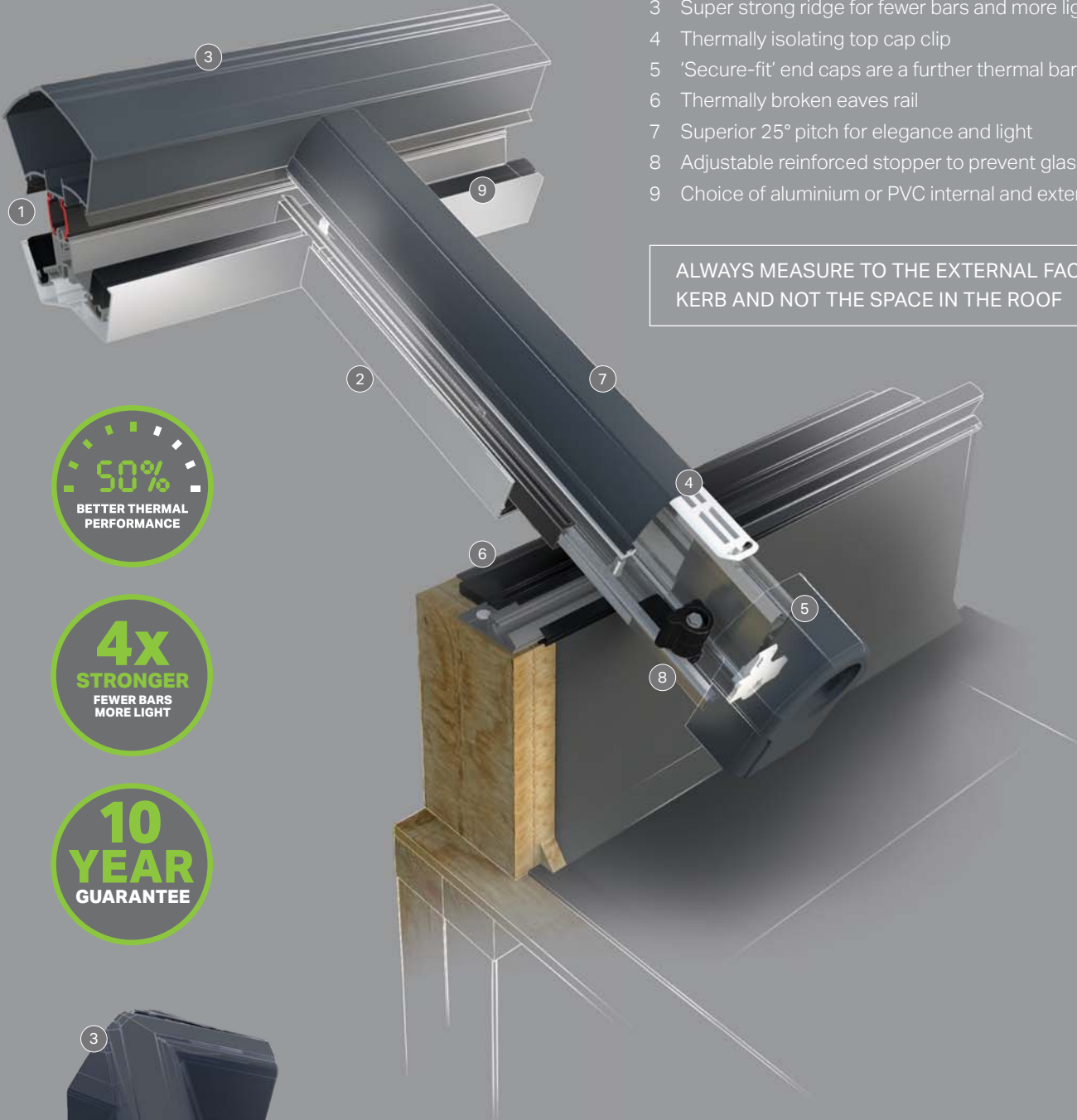
PERFORMANCE ENGINEERING

ULTRASKY LANTERN

FEATURES

- 1 High performance thermal break
- 2 Patented thermally insulated aluminium rafter
- 3 Super strong ridge for fewer bars and more light
- 4 Thermally isolating top cap clip
- 5 'Secure-fit' end caps are a further thermal barrier
- 6 Thermally broken eaves rail
- 7 Superior 25° pitch for elegance and light
- 8 Adjustable reinforced stopper to prevent glass slipping
- 9 Choice of aluminium or PVC internal and external finishes

ALWAYS MEASURE TO THE EXTERNAL FACE OF THE KERB AND NOT THE SPACE IN THE ROOF



Ultrasky's Stormshield Protection System includes:

- 1 Waterproof glazing compression trims
- 2 Ridge end weathering shields
- 3 'Secure fit' radius end covers

ULTRASpan Structural Goal Post

FEATURES

- 1 Aluminium vertical post
- 2 Aluminium horizontal beam
- 3 Protective adhesive expanding foam tape
- 4 Aluminium L-shaped header bracket
- 5 Extra external fascia trim
- 6 Modesty panel factory cut to fit
- 7 Internal fascia factory cut to fit
- 8 Protective adhesive glazing packer

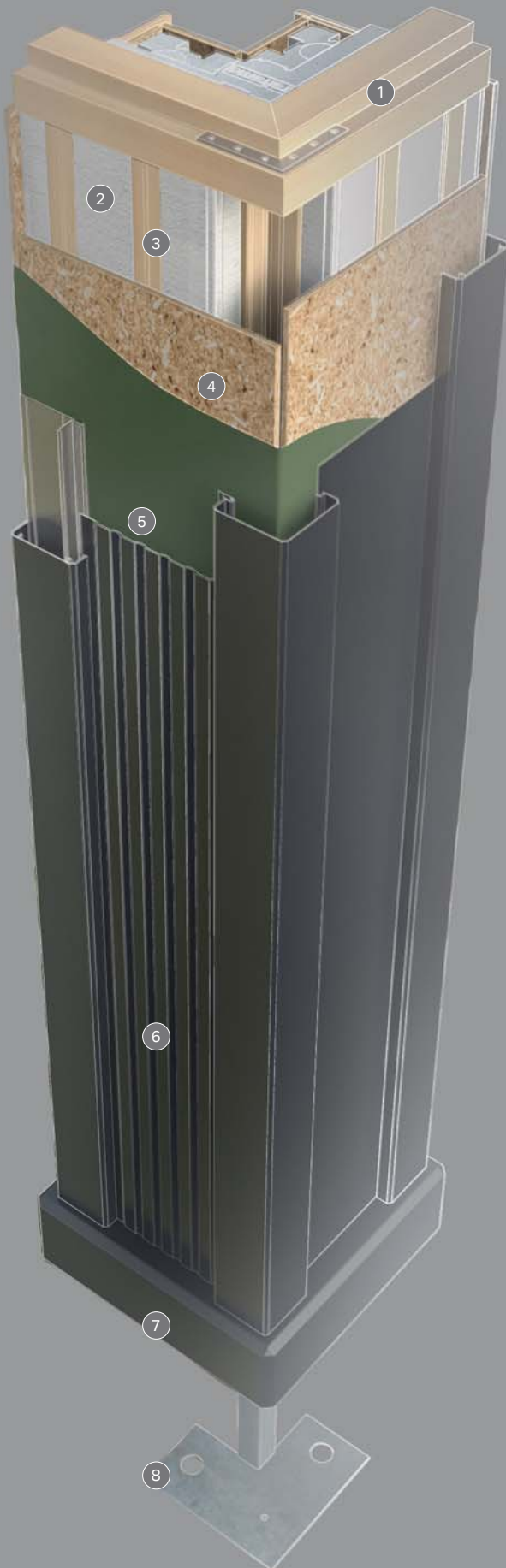


PROVEN AND VALID
STRUCTURAL INTEGRITY

PERFORMANCE ENGINEERING

Ultraspan is completely hidden inside the Ultrasky Roof, can accommodate unsupported spans up to 6.5m and is available in a variety of finishes to seamlessly match your design.

Super-Insulated COLUMNS



FEATURES

- 1 Eaves beam supporting platform
- 2 Styropor carbon enriched expanded polystyrene insulated core
- 3 Battens
- 4 OSB board, mechanically fixed to battens
- 5 Beathable membrane
- 6 Powder coated aluminium claddings
- 7 Various base details available
- 8 Structural set out post

ADD THERMAL **EFFICIENCY** AND STYLE

The perfect complement to Ultrasky Roof and five times more thermally efficient than a brick pillar, super-insulated columns allow you to add more glazing into the design while maintaining thermal efficiency.

Plastered on the inside, super-insulated columns are a great way to eliminate brickwork and mess during installation and provide the solidity of a brick pillar.

A super-insulated column with the right glazing options can surpass the thermal performance requirements of a brick built extension.



Ultraframe
Transforming light and space

Job No. 3412 Ultrasky PHAT_AVJ 10k 08/17

It is Ultraframe's policy to continually seek to improve its products, processes and service and we reserve the right to change specifications without prior notice. We have been trading for nearly 35 years and strive to deliver unrivalled quality and service.