



*Flying High on Quality
...low on price*

Call us NOW on 01473 288690



FALCON

Windows Ltd

Unit 24 Brookhouse Business Park,
Hadleigh Road Industrial Estate,
Ipswich, Suffolk IP2 0EF.

Website: www.falconwindows.net

E-mail: johngarrard1981@yahoo.co.uk

Tel: 01473 288690 Fax: 288710

Mobile 07956996853

Typical Threshold details

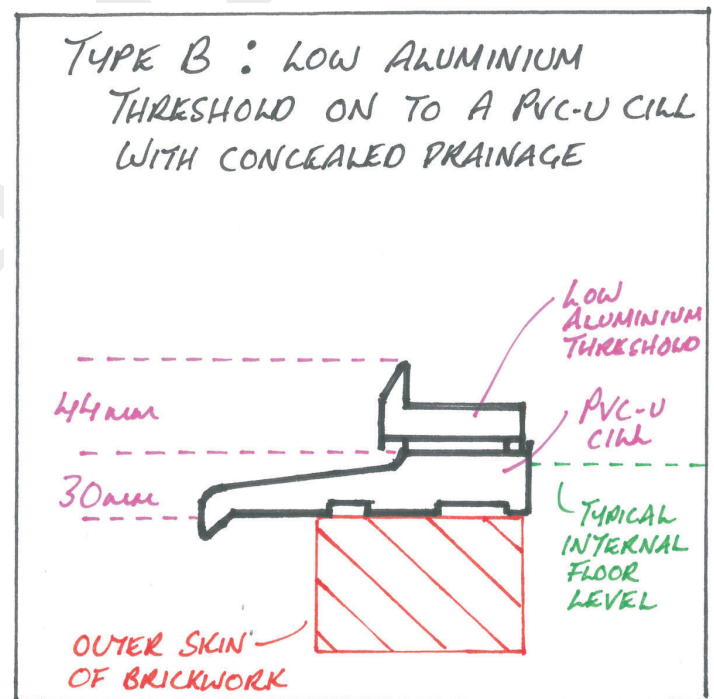
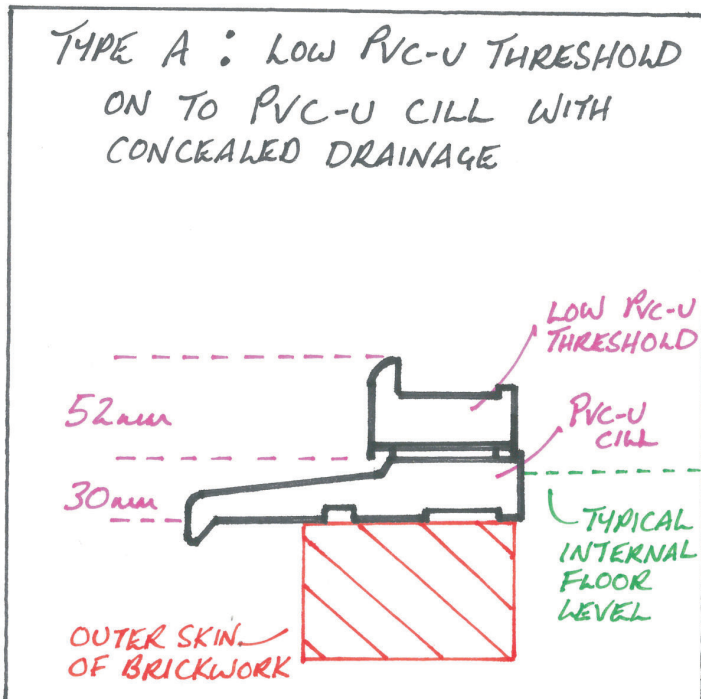
Your proposed door has a number of options available on the threshold.

Please see below some examples of which types are available. The type of threshold that our Surveyor recommends will take into account your existing cill type, the internal floor height as well as any personal requirements and building regulations.

At Falcon Windows, we strive to offer our customers professional advice based on our experience within the industry.

It is important to note that whilst all of the thresholds we use have been designed for their intended purpose, the low PVC-u threshold and the Low Aluminium threshold are more weatherproof than the Part M threshold. The Part M threshold has been designed to repel weather, but in extreme weather can suffer from water ingress.

It is also important to be aware that all PVC-u frames are designed to take water on board and expel it through drainage slots lower down on the frame, typically through the threshold. For this reason, it is common to find water pooling on thresholds after heavy rain. This will disperse through the drainage on the threshold in the coming hours and should not breach the inner edge of the threshold.



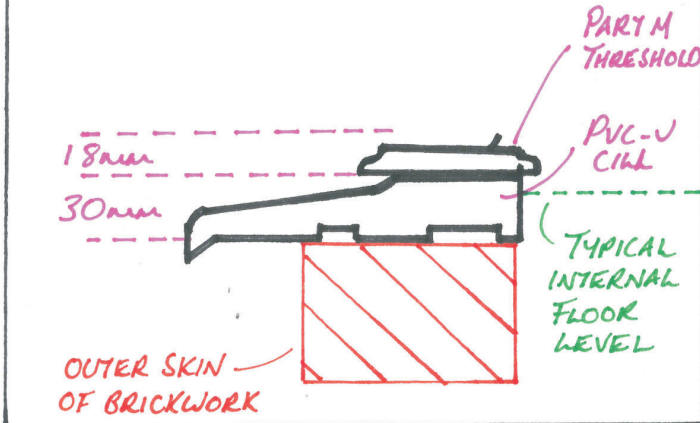


Flying High on Quality
...low on price

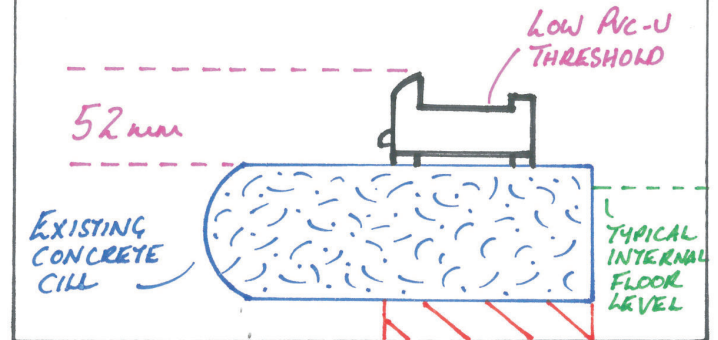
Call us NOW on 01473 288690



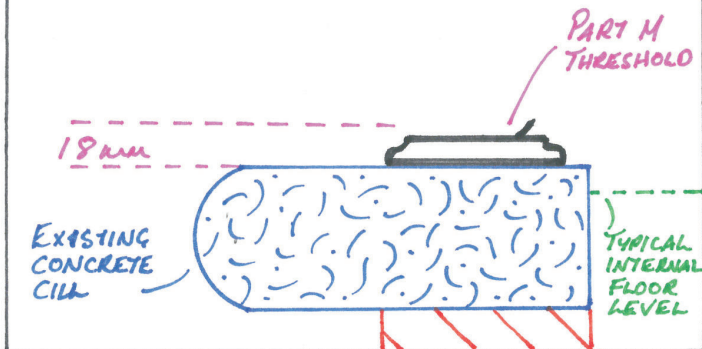
TYPE C : PART M LOW
ALUMINIUM THRESHOLD ON TO
A PVC-U CILL WITH CONCEALED
DRAINAGE



TYPE D : LOW PVC-U THRESHOLD
ON TO AN EXISTING CONCRETE
CILL WITH FACE DRAINAGE



TYPE E : PART M LOW
ALUMINIUM THRESHOLD ON TO AN
EXISTING CONCRETE CILL WITH
FACE DRAINAGE



All drawings for illustration purposes only and are not to scale



Falcon Windows Ltd.



Managing Director Mr E. J. Sheppard



Company Registration No: 4128665



VAT Registration No: 784 9034 93

