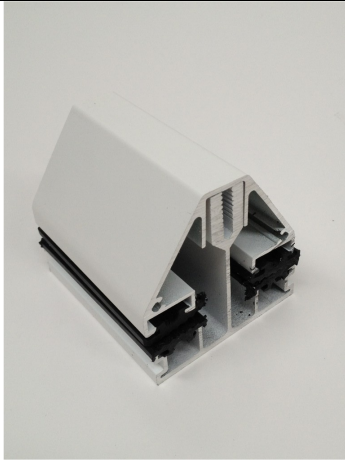


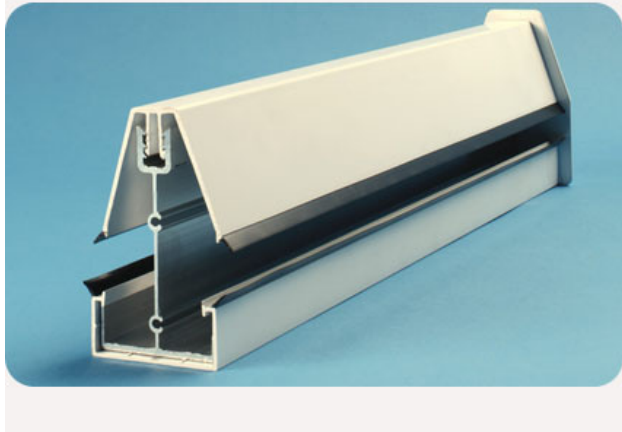
# Polycarbonate Roofing Samples



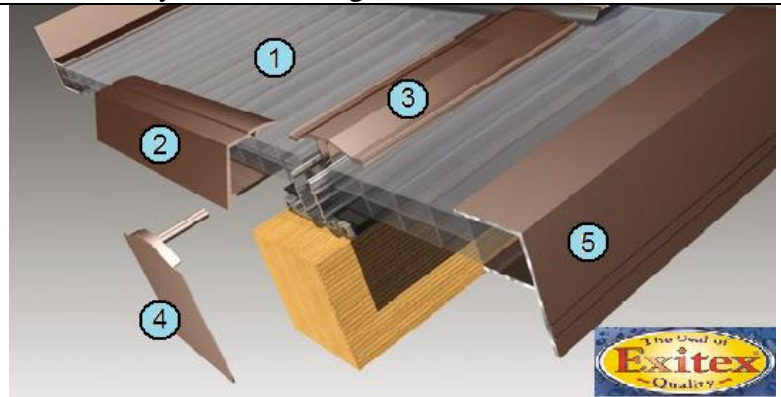
Full supporting glazing bar



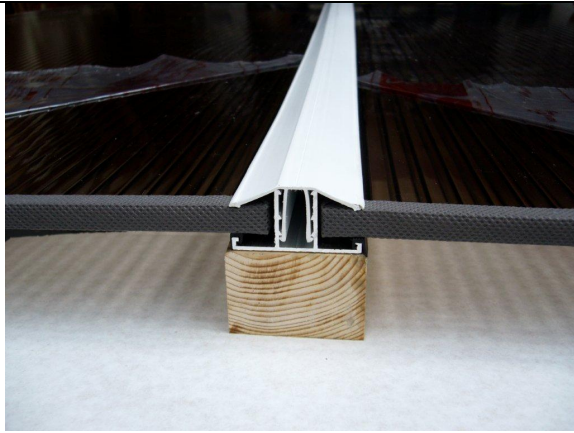
Small demo sample of carport structure all mini conservatory or outbuilding



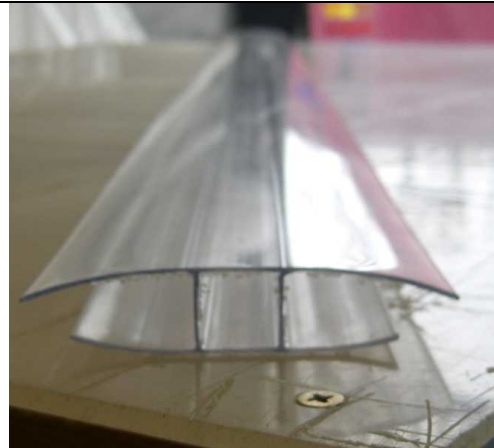
Full supporting glazing bar spanning over 3 m



Cross-section of glazing bars including F sections U profiles and easy fit glazing bars



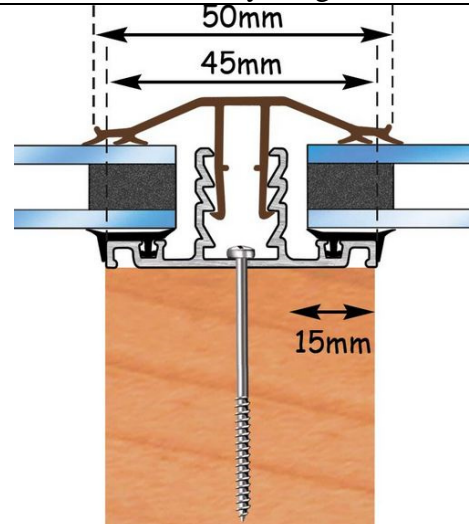
White easy fit (snap on) glazing bars, U profiles shown



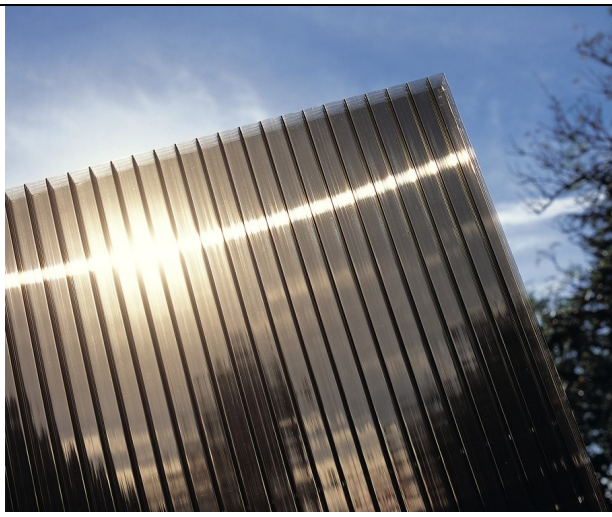
This is an economic all way of joining 10 mm polycarbonates sheets normally for greenhouses



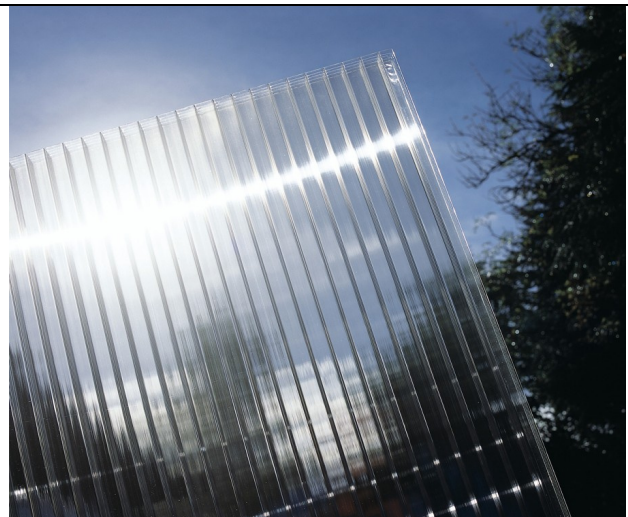
This is a aluminium Rafter bar with under gasket. Designed for screwing directly onto rafters which gives a sound leak free roof



Cross-section of aluminium/plastic top Easy fit glazing bar



Sample of bronze polycarbonate held up to the Sun



Sample of clear polycarbonate held up to the sun



Anti-dust edged tape to seal the ends of polycarbonate



Nylon fixing buttons they come in either white or Brown



These are U profiles they go on the end of the polycarbonate and allow water to drip into gutter



high quality Flash band sealing between wall plate & roof